

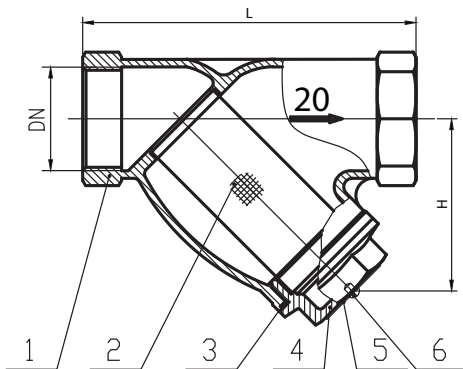
Fig.2041
PN20

Bronze Y Strainer



FEATURES	
•	Pressure Rating PN20
•	Suitable for Hot and Cold Water, Compressed Air, Oil, Non-Corrosive Fluids and Steam.
•	Maximum Working Temperature 170°C
•	Threads ISO228 (Equivalent To DIN259 And BS2779)

SN	NAME	MATERIAL
1	BODY	BRONZE CC491K
2	SCREEN	SS 304
3	GASKET	PTFE
4	GAP	BRONZE CC491K
5	NAMEPLATE	Aluminum
6	DRIVE SCREW	Aluminum



		DIMENSIONS		
DN	INCH	CM	L	H
15	½"	120	74.5	40
20	¾"	60	86.5	45
25	1"	28	108	64
32	1¼"	28	122	71
40	1½"	28	135	81
50	2"	16	163	96
65	2½"	16	230	110
80	3"	12	260	142
100	4"	12	330	175

NOTE: Whilst all reasonable care has been taken in compiling the information in this document, the designs, dimensions, specifications, weights photos shown are indicative only and non binding. These data should not be relied upon without our prior written approval. Due to our policy of continuous development, we reserve the right to modify/discontinue the design, construction or appearance of goods mentioned in this document, website and any other publication including installation manuals, price lists any time without notice and without re-course. Project pictures, product models, certifications and approvals shown may also be of the similar product but sold under other brand. All products are not available in every country. Copy, reprinting and photo-mechanical re-production, also in extracts is forbidden without our written agreement.