

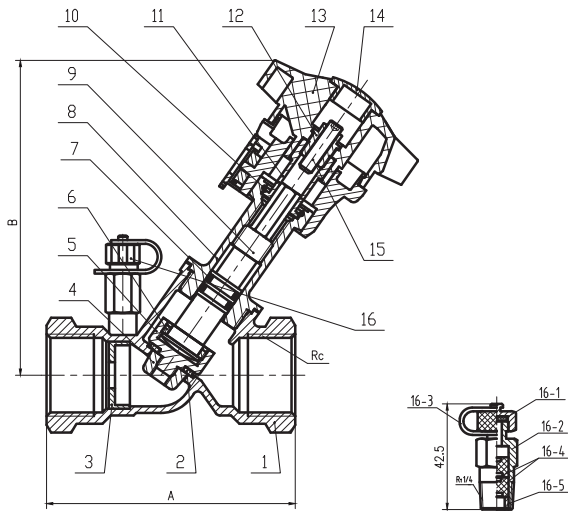
**Fig.2051**  
PN25

## Fixed Orifice Double Regulating Valve



TECHNICAL DATA	
Pressure rating	: 25Bar
Working Temperature	: 120°C
Thread	: Taper (BS EN 10226-2(ISO-7)) : Parallel (BS EN 228-1 ( BS 2779))
Comply with	: BS 7350

FEATURES	
*One in the three Function, pre-setting , measurement and isolation	
* Oblique pattern and non-rising stem	
* Integrated two test points enabling exact measurement of pressure loss	
* Fixed Orifice Double Regulating Valve offers an accuracy of $\pm 5\%$ on all settings for precise flow regulation.	
* Easy to operate with handwheel and numerical indicator	
* Y-Pattern globe valves with characterised throttling disc tending towards equal percentage performance.	



SEQUENCE	COMPONENTS	MATERIAL
1	Body	Bronze- CC491K
2	Disc Face	P.T.F.E
3	Disc Face	DZR Brass - CW602N
4	Nut	DZR Brass - CW602N
5	Disc	DZR Brass - CW602N
6	Disc Retaining Ring	DZR Brass - CW602N
7	O Ring	NBR
8	Bonnet	DZR Brass - CW602N
9	Bonnet	Bronze- CC491K
10	Retainer Ring	SS304
11	Sleeve	Brass- CW617N
12	Screw	Brass- CW617N
13	Hand Wheel	PA
14	Cap	PA
15	Screw	SS304
16	Test Point	DZR Brass - CW602N
16.1	Cap	DZR Brass - CW602N
16.2	Body	DZR Brass - CW602N
16.3	Tie	Polypropylene
16.4	Seal	EPDM
16.5	Ring	DZR Brass - CW602N

Dimensions and Technical Data							
FIG Number	Art. Nr.	INCH	DN	A	B	Flow (kv)	Kvs
2051	2051-0015	1/2"	15	87	105	1.72	2.2
	2051-0020	3/4"	20	96	106	2.97	4.6
	2051-0025	1"	25	100	127	4.75	8.5
	2051-0032	1 1/4"	32	114	128	10.25	16.7
	2051-0040	1 1/2"	40	125	143	16.38	26.1
	2051-0050	2"	50	146	144	27.26	43.2

NOTE: Whilst all reasonable care has been taken in compiling the information in this document, the designs, dimensions, specifications, weights photos shown are indicative only and non binding. These data should not be relied upon without our prior written approval. Due to our policy of continuous development, we reserve the right to modify/discontinue the design, construction or appearance of goods mentioned in this document, website and any other publication including installation manuals, price lists any time without notice and without re-course. Project pictures, product models, certifications and approvals shown may also be of the similar product but sold under other brand. All products are not available in every country. Copy, reprinting and photo-mechanical re-production, also in extracts is forbidden without our written agreement.