

Fig.2052
PN16 / PN25

Fixed Orifice Double Regulating Valve

Flanged PN16 or PN25 for Single Unit Systems Conforms to BS7350



Specification

Single unit Y-pattern globe valves incorporating an integral orifice plate to form a fixed orifice flow measurement unit with regulation and isolation capacity. Valves conform to requirements of BS 7350.

Application

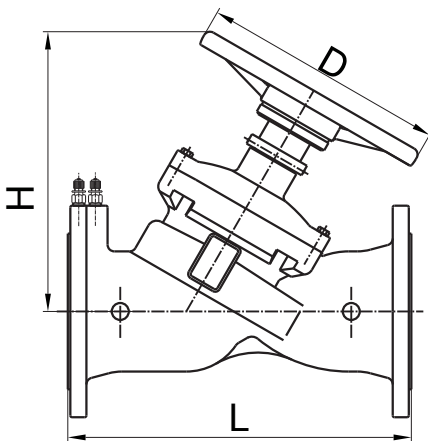
Primarily used in injection or other circuits requiring a double regulating valve for systems balancing. Accuracy of flow measurement is $\pm 5\%$ at all open positions of the valve in accordance with BS 7350.

Pressure/Temperature Ratings

	PN16	PN25
Temperature °C		-10 to 120
Working Pressure (Bar)	16	25
Test Pressure (Bar)	Shell:24 Seat:17.6	Shell:37.5 Seat:27.5

Materials

Part	Material	Specification
Body	Ductile	EN-JS 1040
Bonnet	Ductile	EN-JS 1040
Stem [65-300mm]	Stainless Steel 410	BS970 410S21
Stem [65-600mm]	Stainless Steel 431	BS970 431S21
Disc	EPDM Coated DI	EN-JS 1040
Gland (65-150mm)	Brass	EN 12165 CW617N
Gland (200-600mm)	Ductile	EN-JS 1040
Stem Nut	Brass	EN 12165 CW617N
Hand Wheel	Ductile	EN-JS 1040
Test Valve	Brass	EN 12165 CW602N
Orifice Insert	Brass	EN 12165 CW617N
Packing	Graphite	Non-Asbestos



Dimensions, Coefficients

Size	Inch mm	2½ DN65	3 DN80	4 DN100	5 DN125	6 DN150	8 DN200	10 DN250	12 DN300	14 DN350	16 DN400	18 DN450	20 DN500	24 DN600
L		290	310	350	400	480	600	730	850	980	1100	1200	1250	1450
H		265	270	310	340	340	537	570	690	685	965	1020	1065	1180
D		200	200	240	290	290	350	420	420	420	640	640	640	640
Flow Kv		74	92	162	254	345	548	1099	1588	1635	2125	2698	3371	4091
Head los K		5.32	6.48	13.15	8.32	7.33	8.26	7.27	8.36	12.50	13.60	14.40	14.80	15.30
Kvs		104	116	213	333	476	768	1153	1743	1798	2338	2698	3708	4500

NOTE: Whilst all reasonable care has been taken in compiling the information in this document, the designs, dimensions, specifications, weights photos shown are indicative only and non binding. These data should not be relied upon without our prior written approval. Due to our policy of continuous development, we reserve the right to modify/discontinue the design, construction or appearance of goods mentioned in this document, website and any other publication including installation manuals, price lists any time without notice and without re-course. Project pictures, product models, certifications and approvals shown may also be of the similar product but sold under other brand. All products are not available in every country. Copy, reprinting and photo-mechanical re-production, also in extracts is forbidden without our written agreement.