

**Fig.2047**  
PN10/PN16/PN25

## Ductile Iron Y Strainer



**Valve Standard :**  
Comply with BS EN558-1 Series 1

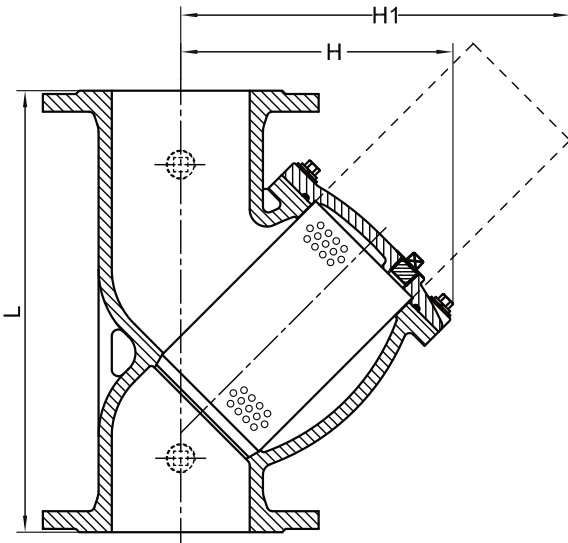


### PRESSURE TEMPERATURE RATINGS

Working pressure(Bar)	10/16/25
Testing Pressure(Bar)	Shell:15/24/37.5 Seal:11/17.6/27.5
Working Temperature	-10°C to +85°C
Suitable Media	Drinking Water

### MATERIAL SPECIFICATION

Part	Material	Material Code
Body	Ductile Iron	EN-JS1050
Cover	Ductile Iron	EN-JS1050
Screen	Stainless Steel	BS 970 304S15
Sealing	EPDM	
Drain Plug	Stainless Steel	BS 970 304S15



### DIMENSIONS

DN	mm	50	65	80	100	125	150	200	250	300	350	400	450	500	600
	inch	2"	2-1/2"	3"	4"	5"	6"	8"	10"	12"	14"	16"	18"	20"	24"
L		230	290	310	350	400	480	600	730	850	980	1100	1200	1250	1450
H		124	137	152	205	244	269	341	455	476	725	820	840	915	1100
H1		183	205	238	318	358	380	508	700	730	1130	1285	1260	1350	1675

NOTE: Whilst all reasonable care has been taken in compiling the information in this document, the designs, dimensions, specifications, weights photos shown are indicative only and non binding. These data should not be relied upon without our prior written approval. Due to our policy of continuous development, we reserve the right to modify/discontinue the design, construction or appearance of goods mentioned in this document, website and any other publication including installation manuals, price lists any time without notice and without re-course. Project pictures, product models, certifications and approvals shown may also be of the similar product but sold under other brand. All products are not available in every country. Copy, reprinting and photo-mechanical re-production, also in extracts is forbidden without our written agreement.

**EAU TECHNIK GmbH**

Herriotstr. 1

60528 Frankfurt am Main, Germany

Ph : +49(0)69 67733 176

Fax : +49(0) 69 67733 200

Email : info@eautek.com

Web : www.eautek.com