

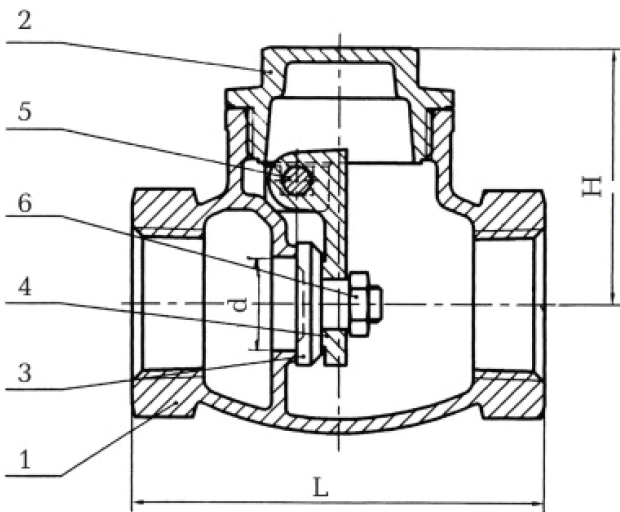
**Fig.2022**  
PN20

## Bronze Swing Check Valve



FEATURES	
Pressure Rating	: PN20
Working medium	: Water, Oil, Steam
Working temperature	: $t \leq 170^{\circ} \text{C}$
Thread	: BSPP

BILL OF MATERIALS			
1	BODY	Bronze CC491K	All
2	CAP	Bronze CC491K	All
3	DISC	NBR	All
4	HINGE	Brass CW617N	All
5	HINGE PIN	Stainless Steel 304	All
6	HINGE NUT	Stainless Steel 304	All
7	NAMEPLATE	Bronze CC491K	All
8	DISC HOLDER	Aluminum	All
9	PACKING	PTFE	All



DIMENSIONS				
DN	INCH	d	L	H
15	1/2"	13	58	37
20	3/4"	19	66	43
25	1"	25	76	49
32	1 1/4"	32	88	57.5
40	1 1/2"	39	96	63
50	2"	50	112	72

NOTE: Whilst all reasonable care has been taken in compiling the information in this document, the designs, dimensions, specifications, weights photos shown are indicative only and non binding. These data should not be relied upon without our prior written approval. Due to our policy of continuous development, we reserve the right to modify/discontinue the design, construction or appearance of goods mentioned in this document, website and any other publication including installation manuals, price lists any time without notice and without re-course. Project pictures, product models, certifications and approvals shown may also be of the similar product but sold under other brand. All products are not available in every country. Copy, reprinting and photo-mechanical re-production, also in extracts is forbidden without our written agreement.

**EAU TECHNIK GmbH**  
Herriotstr. 1

60528 Frankfurt am Main, Germany  
Ph : +49(0)69 67733 176  
Fax : +49(0) 69 67733 200  
Email : info@eautek.com  
Web : www.eautek.com