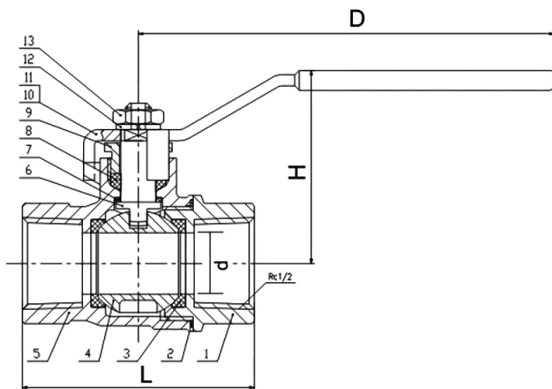


**Fig.2011**  
PN20

## Bronze Ball Valve



TECHNICAL DATA	
Pressure Rating	: 20 Bar
Working temperature	: 170° C
Thread	: Taper (BS EN 1022-2(ISO-7)) : Parallel(BS EN 228-1 (BS 2779))
Comply With BS5154	Steam, Water and Oil

SEQUENCE	DESCRIPTION	MATERIAL	SIZES
1	Seat Retainer	Bronze CC491K	All
2	Gasket	P.T.F.E	All
3	Seat	P.T.F.E	All
4	Ball	Brass CW617N	All
5	Body	Bronze CC491K	All
6	Gasket	Brass CW614N	All
7	Stem	P.T.F.E	All
8	Packing	P.T.F.E	All
9	Gland Nut	Brass CW614N	All
10	Lever	Q235	All
11	Lever Cover	PVC	All
12	Gasket	65Mn	All
13	Lever Nut	Brass CW614N	All

DIMENSIONS							
Fig Number	Art. Nr.	INCH	DN	d	L	H	D
2011	2011-0015	1/2"	15	14	53	44	95
	2011-0020	3/4"	20	19	61	51	110
	2011-0025	1"	25	24	71	55	110
	2011-0032	1 1/4"	32	31	85	65	140
	2011-0040	1 1/2"	40	38	92	70	140
	2011-0050	2"	50	49	114	83	160
	2011-0065	2 1/2"	65	63	134	118	220
	2011-0080	3"	80	73	152	132	270
	2011-0100	4"	100	90	182	280	280

NOTE: Whilst all reasonable care has been taken in compiling the information in this document, the designs, dimensions, specifications, weights photos shown are indicative only and non binding. These data should not be relied upon without our prior written approval. Due to our policy of continuous development, we reserve the right to modify/discontinue the design, construction or appearance of goods mentioned in this document, website and any other publication including installation manuals, price lists any time without notice and without re-course. Project pictures, product models, certifications and approvals shown may also be of the similar product but sold under other brand. All products are not available in every country. Copy, reprinting and photo-mechanical re-production, also in extracts is forbidden without our written agreement.

**EAU TECHNIK GmbH**  
Herriotstr. 1  
60528 Frankfurt am Main, Germany  
Ph : +49(0)69 67733 176  
Fax : +49(0) 69 67733 200  
Email : info@eautek.com  
Web : www.eautek.com