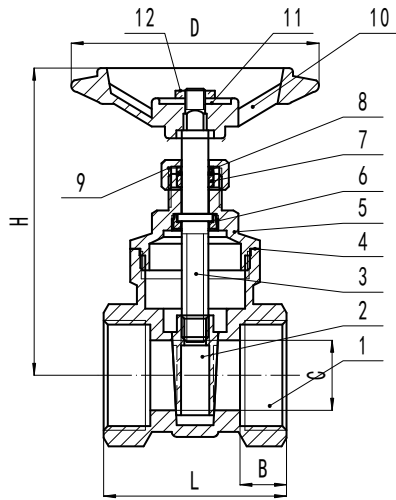


Fig.2002

PN20

Brass Gate Valve



TECHNICAL DATA	
Pressure rating	: 20Bar
Working Temperature	: 120°C
Thread	: Taper (BS EN 10226-2(ISO-7) : Parallel (BS EN 228-1 (BS 2779)
Comply with	: BS 5154
Working medium	: steam, water and oil
Specification	: Non rising stem : Solid brass wedge : High quality PTFE packing

SEQUENCE	COMPONENTS	MATERIAL
1	Body	Brass - Hpb57-3
2	Gate	Brass - Hpb57-3
3	Spindle	Brass- Hpb57-3
4	Gasket	P.T.F.E
5	Bonnet	Brass- Hpb57-3
6	Lock Nut	Brass- Hpb57-3
7	Sealing	P.T.F.E
8	Stem Ring	Brass- Hpb57-3
9	Press Nut	Brass- Hpb57-3
10	Hand wheel	Aluminium
11	Rating plate	Aluminium
12	Hand Wheel Nut	Brass- Hpb57-3

Dimensions								
Fig Number	Art. Nr.	INCH	DN	L	C	B	D	H
2002	2002-0015	1/2"	15	40	13	12	60	71.5
	2002-0020	3/4"	20	44	17	12	60	79
	2002-0025	1"	25	55	21	14.5	65	91
	2002-0032	1 1/4"	32	57	30.5	16.5	80	106
	2002-0040	1 1/2"	40	59	32	16.2	95	127
	2002-0050	2"	50	70	45	17	105	144
	2002-0065	2 1/2"	65	84	59	20	115	196
	2002-0080	3"	80	87	70	22	145	213
	2002-0100	4"	100	123	87	25	145	240

NOTE: Whilst all reasonable care has been taken in compiling the information in this document, the designs, dimensions, specifications, weights photos shown are indicative only and non binding. These data should not be relied upon without our prior written approval. Due to our policy of continuous development, we reserve the right to modify/discontinue the design, construction or appearance of goods mentioned in this document, website and any other publication including installation manuals, price lists any time without notice and without re-course. Project pictures, product models, certifications and approvals shown may also be of the similar product but sold under other brand. All products are not available in every country. Copy, reprinting and photo-mechanical re-production, also in extracts is forbidden without our written agreement.

EAU TECHNIK GmbH

Herriotstr. 1

60528 Frankfurt am Main, Germany

Ph : +49(0)69 67733 176

Fax : +49(0) 69 67733 200

Email : info@eautek.com

Web : www.eautek.com